

Flat Section Spring Washer

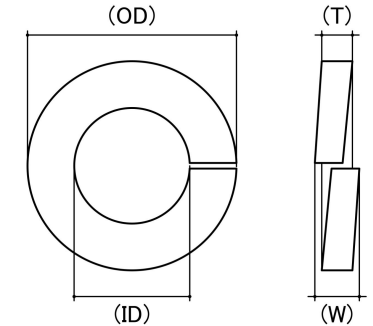
Material: Stainless Steel

Class Grade: A2-70 G304

Corrosion Protection Level: Excellent

Standard: HEC 127B

System Of Measurement: Metric



*CAD drawings shown for graphic representation only.**

Industry Size (mm)	Inside Dimension (ID) (mm)		Outside Dimension (OD) (mm)	Width (W) (mm)	Thickness (T) (mm)	sku (qfind)
	Min	Max	Nom	Nom	Nom	
1.6	1.65	1.84	3.00	0.80	0.50	71PS1.6
2	2.10	2.40	4.40	0.90	0.50	71PS2
2.5	2.60	2.90	5.10	1.00	0.60	71PS25
3	3.10	3.40	6.20	1.30	0.80	71PS3
3.5	3.60	3.90	6.70	1.30	0.80	71PS3.5
4	4.10	4.50	7.60	1.50	0.90	71PS4
5	5.10	5.50	9.20	1.80	1.20	71PS5
6	6.10	6.70	12.00	2.50	1.60	71PS6
8	8.00	8.50	15.00	3.00	2.00	71PS8
10	10.20	10.75	18.00	3.50	2.20	71PS10
12	12.20	13.00	21.00	4.00	2.50	71PSM12
14	14.20	14.70	23.30	4.50	2.95	71PSM14
16	16.20	17.00	27.00	5.00	3.50	71PS16
18	18.20	19.00	29.00	5.00	3.50	71PSM18
20	20.90	22.10	33.50	6.00	4.00	71PS20

Industry Size (mm)	Inside Dimension (ID) (mm)		Outside Dimension (OD) (mm)	Width (W) (mm)	Thickness (T) (mm)	sku (qfind)
	Min	Max	Nom	Nom	Nom	
22	22.30	24.00	36.00	6.00	4.00	71PS22
24	24.50	26.50	40.00	7.00	5.00	71PS24
27	27.50	29.50	43.00	7.00	5.00	71PS27
30	32.00	33.00	48.00	8.00	6.00	71PS30
33	33.50	36.00	55.00	10.00	6.00	71PS33
36	36.50	38.50	58.00	10.00	6.00	71PS36

Disclaimer:

Dimensional data and technical information was obtained from publically available sources and not acquired through standard agencies. It has been completed and compiled for reference purposes only; where discrepancies are found they are subject to change without notice. Bolt & Nut Australia makes no warranties or representations regarding the accuracy and validity of the compiled information and data. Contact the relevant standard authorities for accurate and detailed information.

* CAD drawings may not reflect diameter, thread length or overall length.

© Bolt & Nut Australia Pty Ltd. All rights reserved.

Version: 18 Mar 2024